

INSTALLATION:
 RECOMMENDED Min. FOUNDATION AS SHOWN IN C16/20 CONCRETE. **SITE ENGINEER TO DETERMINE APPROPRIATE SIZE AND COMPOSITION OF ANY FOUNDATIONS BASED ON LOCAL GROUND CONDITIONS**

INSTALLATION Via 4no. Min. M10x100 THROUGHBOLTS

APPROXIMATE TOTAL WEIGHT: 60.3 kg

BARRIER PROTECTION ITEM SUPPLIED TO SITE FULLY ASSEMBLED
 ANY GROUND FIXINGS SUPPLIED BY OTHERS

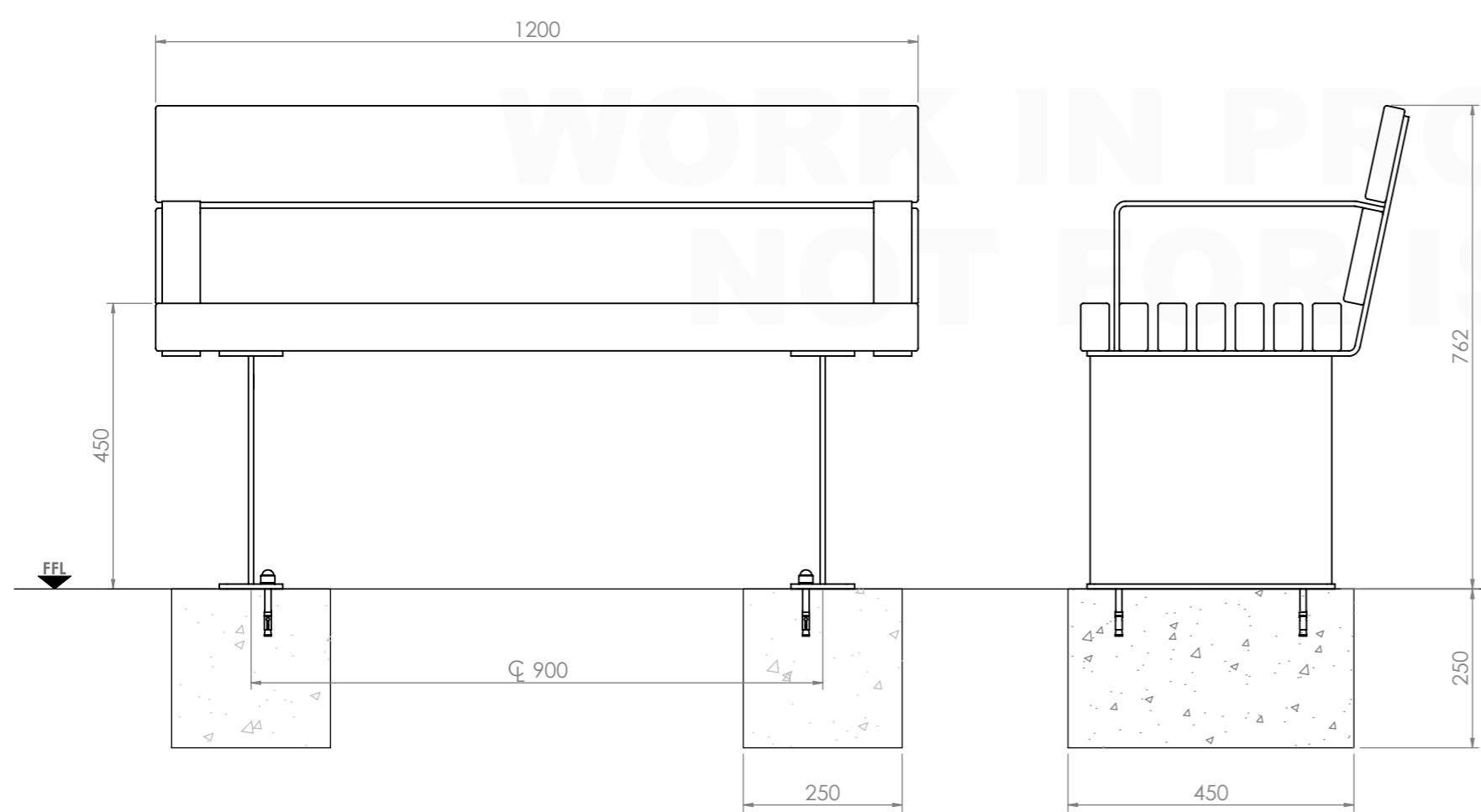
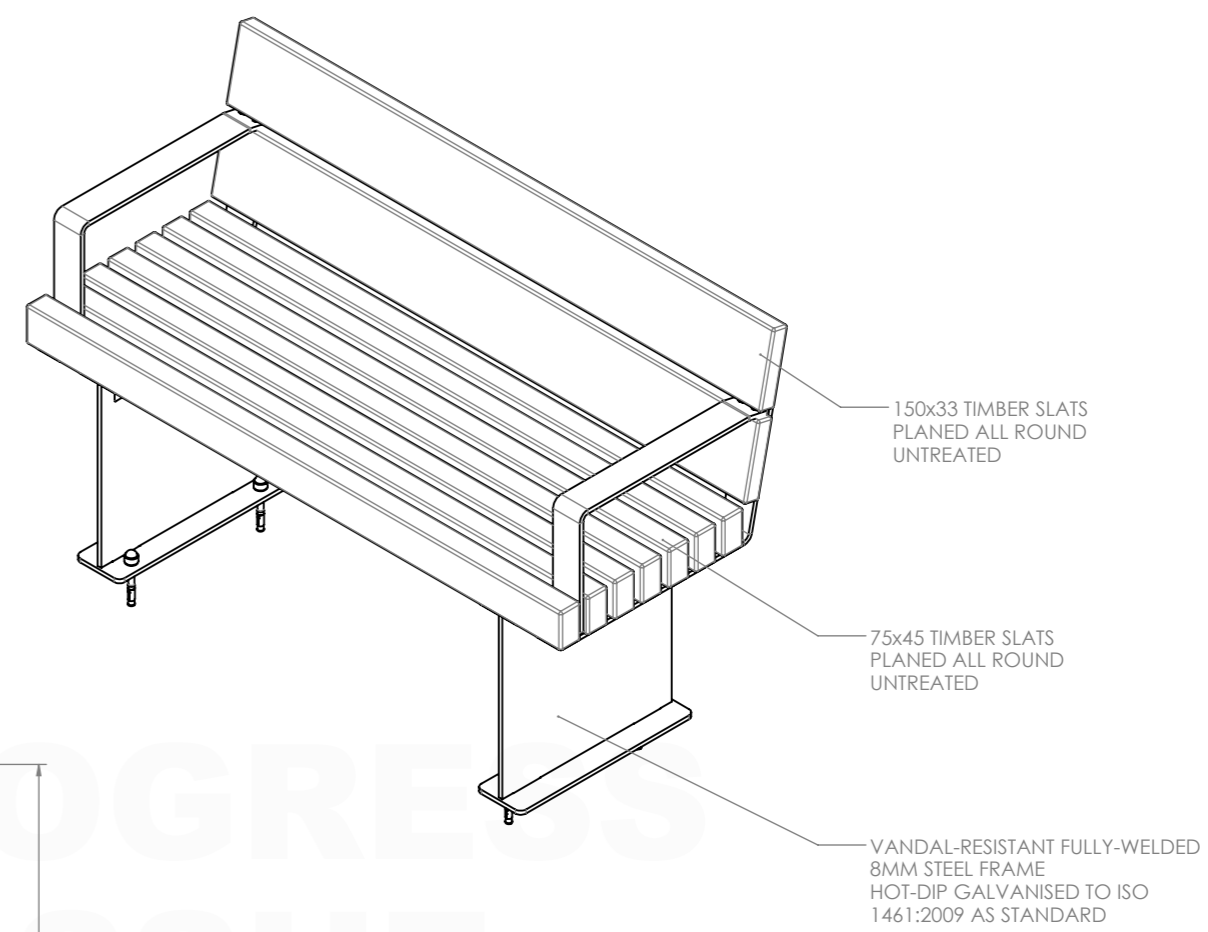
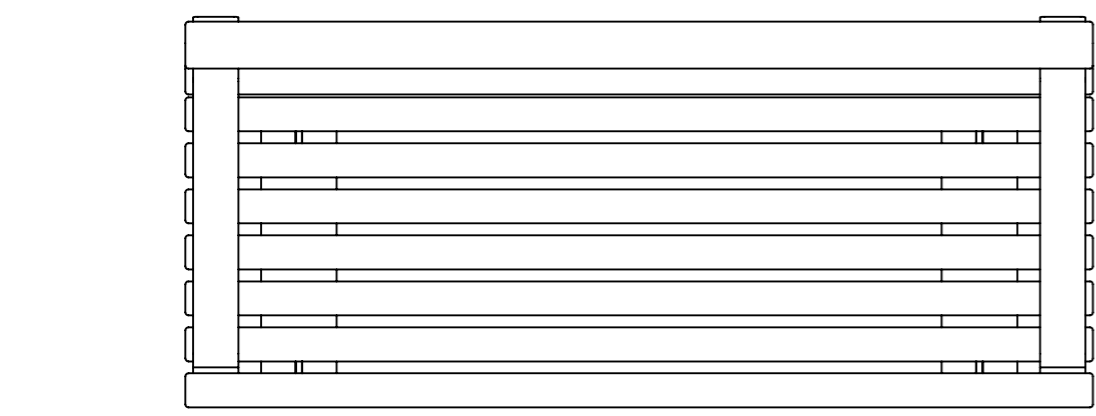
**GENERAL ARRANGEMENT:
 GREENGATE SEAT**

BSFG Doc. NUMBER: BSSGA2213 - WIP-1_OGA	Doc. TYPE	SHEET: SHEET 1 OF 12	SCALE: 1:10 @A3	DRW: CG	DATE: 22/08/2024
BSFG Doc. TITLE: 1200 - GREENGATE SEAT			CHK: JF	DATE: 05/05/2020	
PART NUMBER: GREENGATE SEAT			APP: JF	DATE: 22/08/2024	
PART CONFIGURATION: 1200			BSFG Doc. STATUS: WORK IN PROGRESS NOT FOR ISSUE		
BSFG JOB NUMBER: STANDARD PRODUCT			BSFG Doc.REV: 0		

Adlington Business Park, London Road, Adlington, Cheshire, SK10 4NL
 Tel: 01625 322 888 | enquiries@bsfg.co.uk



DO NOT SCALE FROM DRAWING DIMENSIONS IN mm UNLESS STATED OTHERWISE



INSTALLATION:
 RECOMMENDED Min. FOUNDATION AS SHOWN IN C16/20 CONCRETE. **SITE ENGINEER TO DETERMINE APPROPRIATE SIZE AND COMPOSITION OF ANY FOUNDATIONS BASED ON LOCAL GROUND CONDITIONS**

INSTALLATION Via 4no. Min. M10x100 THROUGHBOLTS

APPROXIMATE TOTAL WEIGHT: 65.1 kg

BARRIER PROTECTION ITEM SUPPLIED TO SITE FULLY ASSEMBLED
 ANY GROUND FIXINGS SUPPLIED BY OTHERS

**GENERAL ARRANGEMENT:
 GREENGATE SEAT**



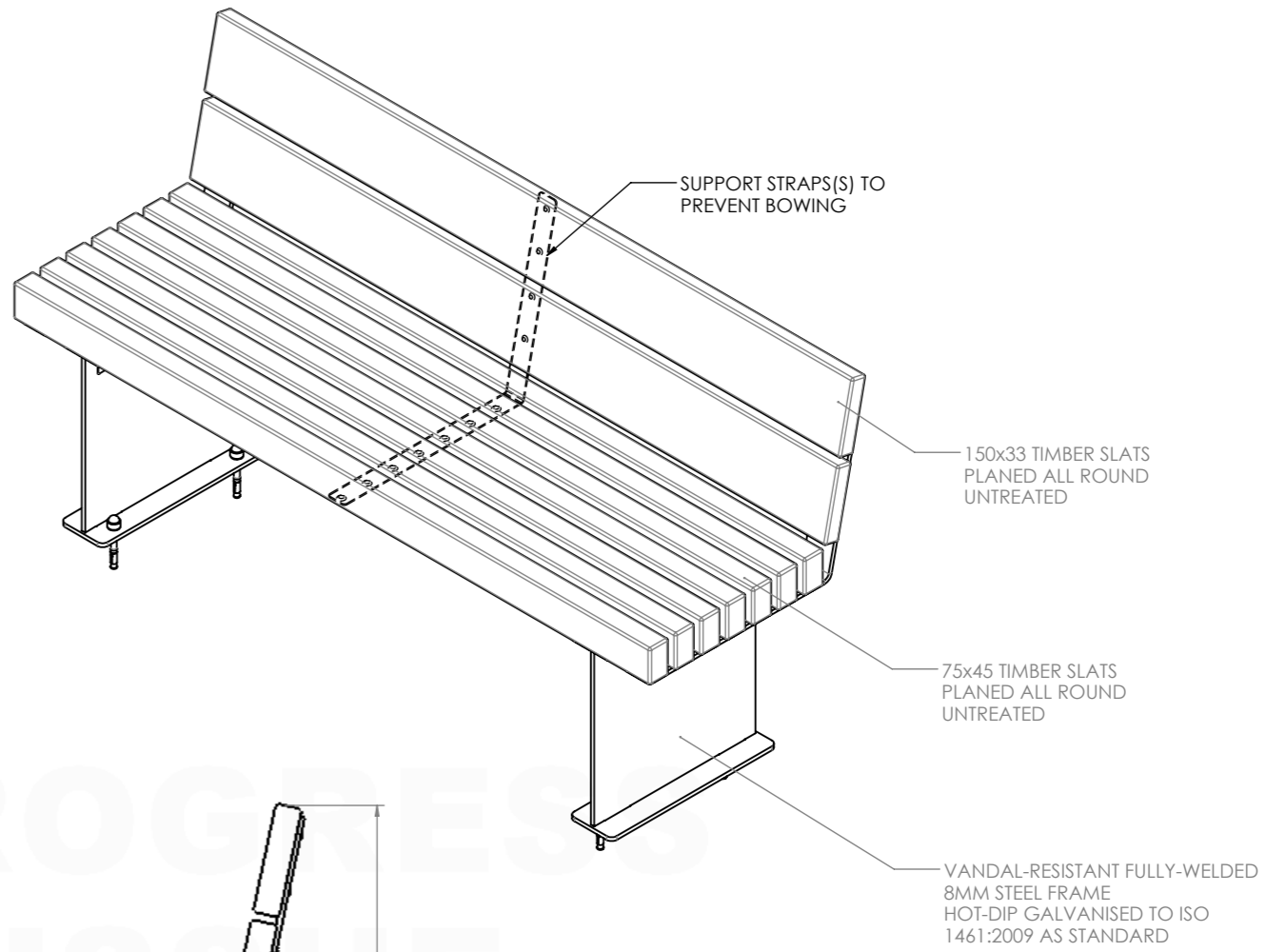
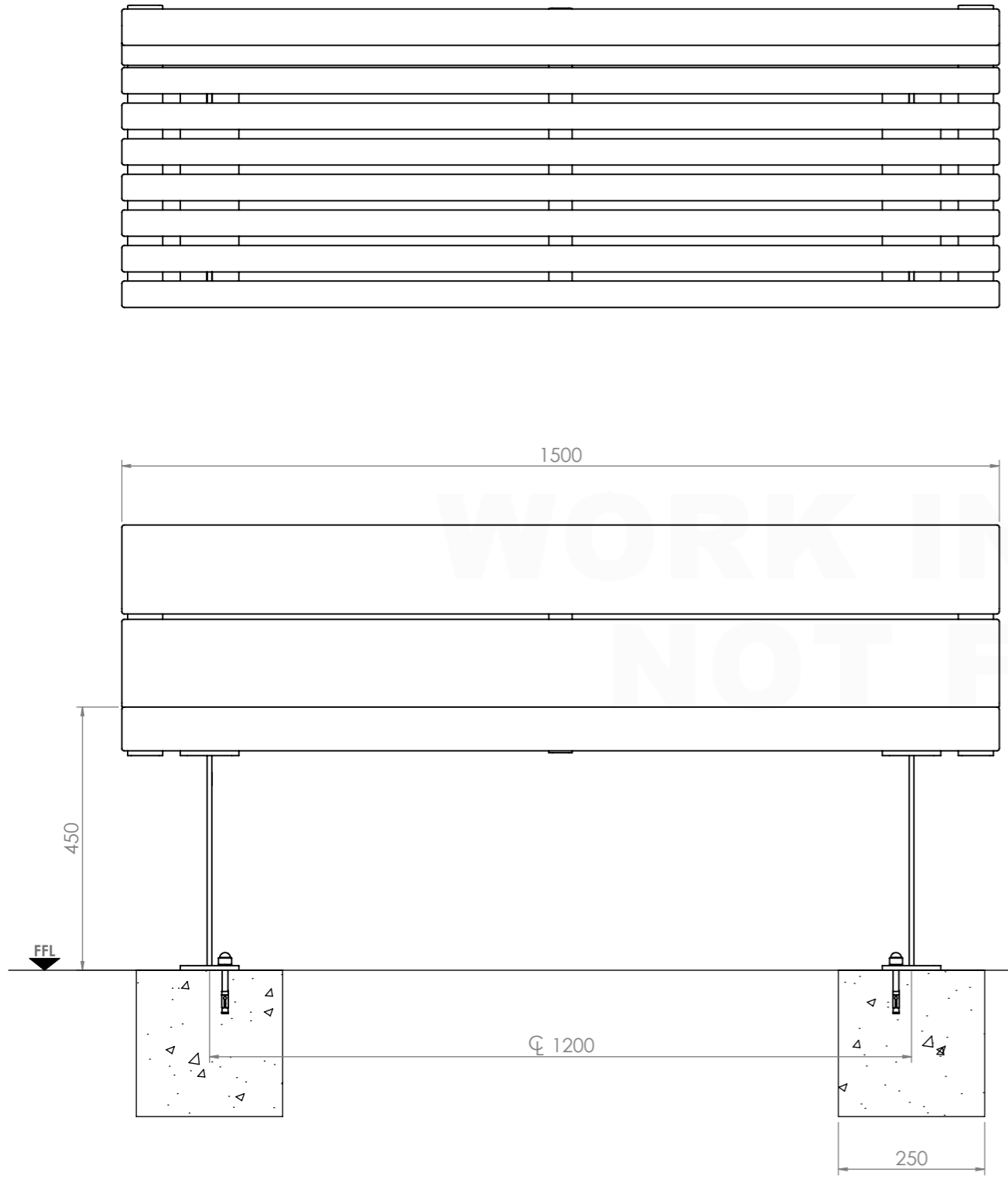
Adlington Business Park, London Road, Adlington, Cheshire, SK10 4NL
 Tel: 01625 322 888 | enquiries@bsfg.co.uk

BSFG Doc. NUMBER: BSSGA2213 - WIP-2_OGA	Doc. TYPE	SHEET: SHEET 2 OF 12	SCALE: 1:10 @A3	DRW: CG	DATE: 22/08/2024
BSFG Doc. TITLE: 1200 ARMS - GREENGATE SEAT			CHK: JF	DATE: 05/05/2020	
PART NUMBER: GREENGATE SEAT			APP: JF	DATE: 22/08/2024	
PART CONFIGURATION: 1200 ARMS			BSFG Doc. STATUS: WORK IN PROGRESS NOT FOR ISSUE		
BSFG JOB NUMBER: STANDARD PRODUCT	3rd ANGLE PROJECTION	DO NOT SCALE FROM DRAWING DIMENSIONS IN mm UNLESS STATED OTHERWISE		BSFG Doc.REV: 0	

PRODUCTS WILL BE SUPPLIED WITH A SMALL IDENTIFICATION LABEL. IF YOU WOULD LIKE THIS REMOVED PRIOR TO DELIVERY PLEASE SPECIFY AT TIME OF ORDER

© All content copyright Bailey Streetscene Limited

© All content copyright Bailey Street Furniture Group



INSTALLATION:
 RECOMMENDED Min. FOUNDATION AS SHOWN IN C16/20 CONCRETE. **SITE ENGINEER TO DETERMINE APPROPRIATE SIZE AND COMPOSITION OF ANY FOUNDATIONS BASED ON LOCAL GROUND CONDITIONS**

INSTALLATION Via 4no. Min. M10x100 THROUGH BOLTS

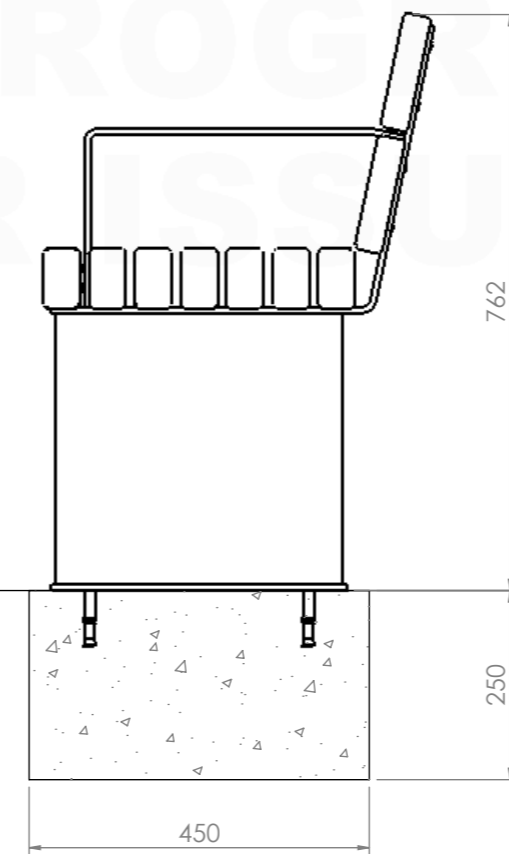
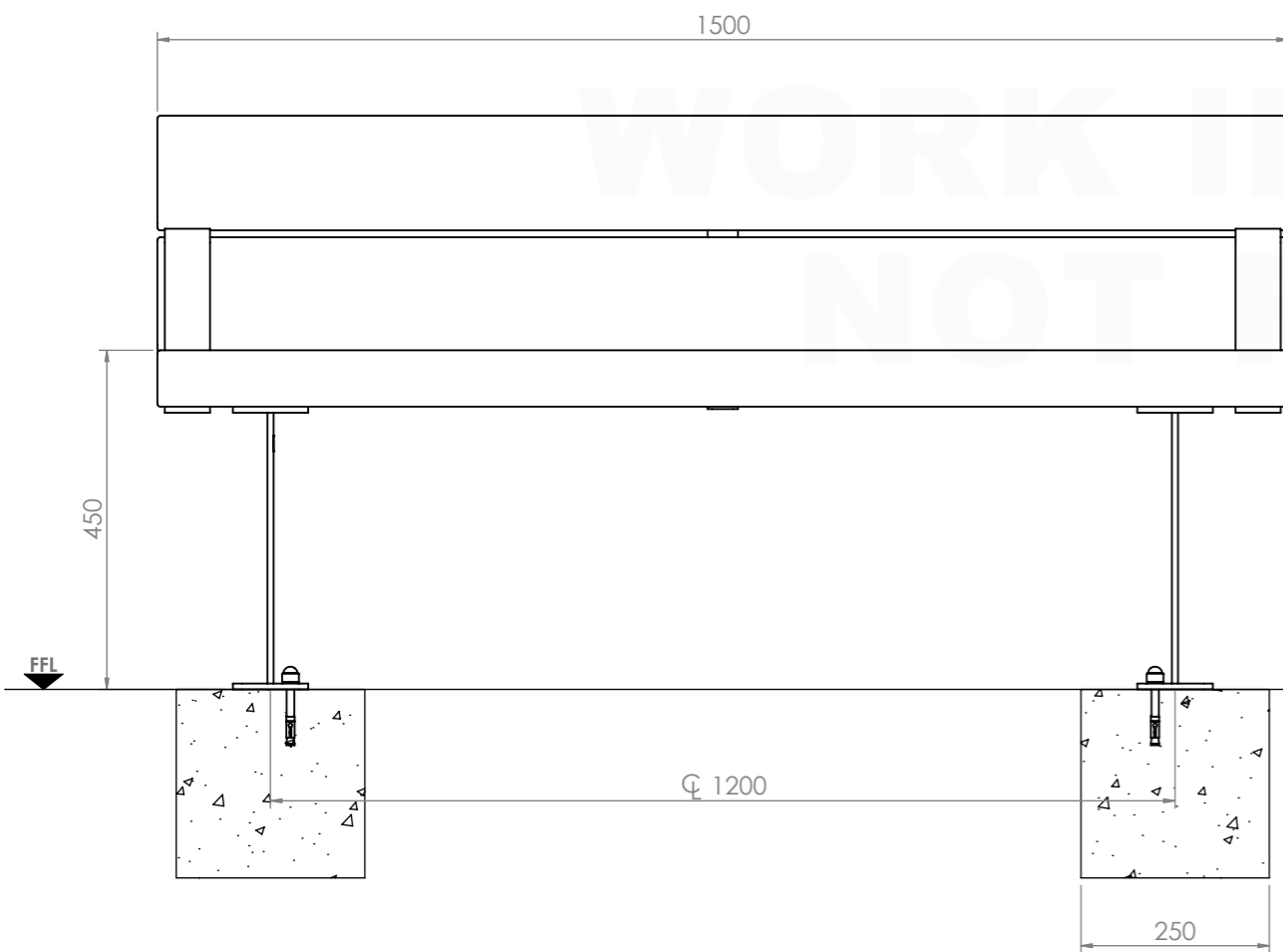
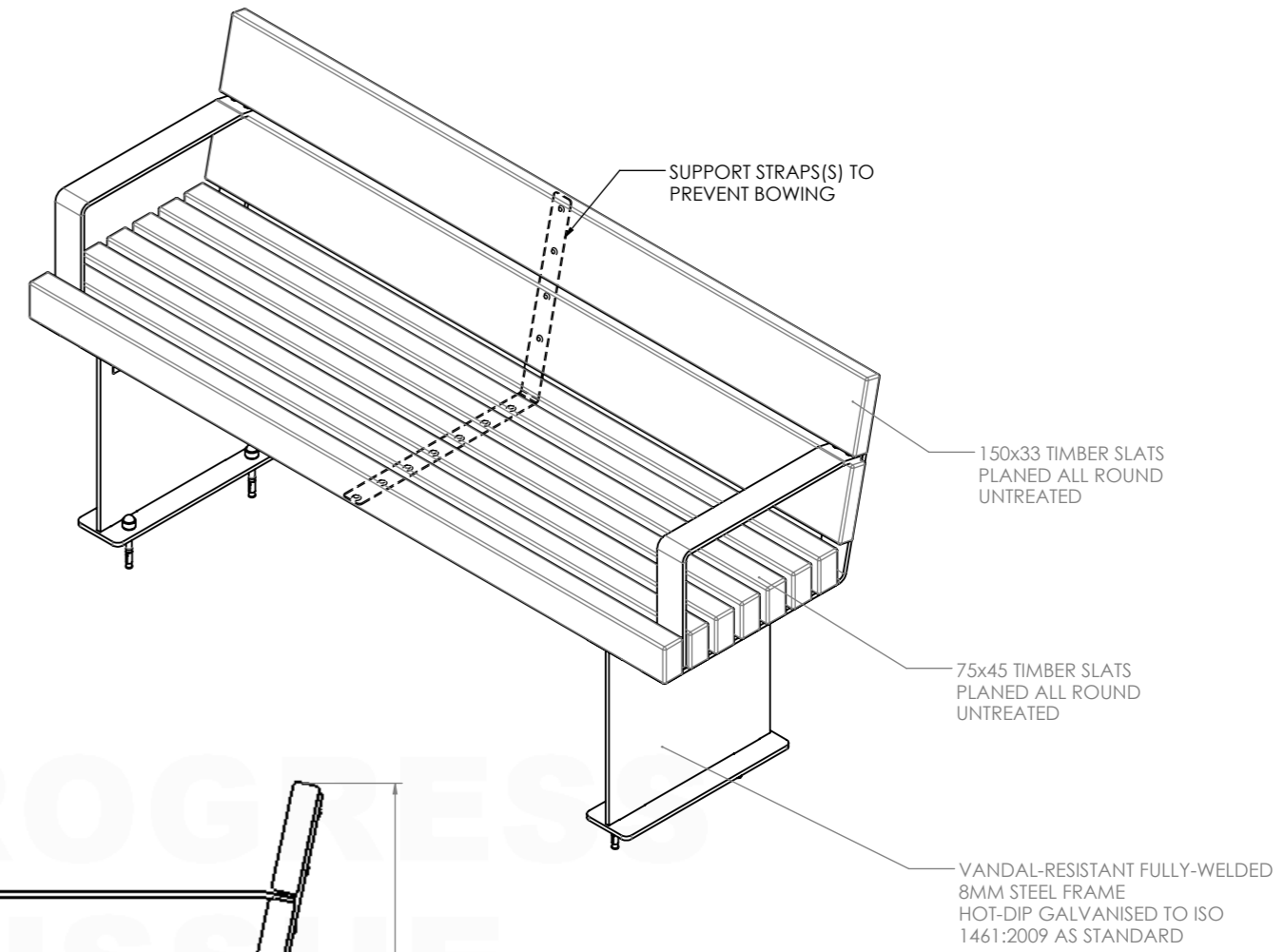
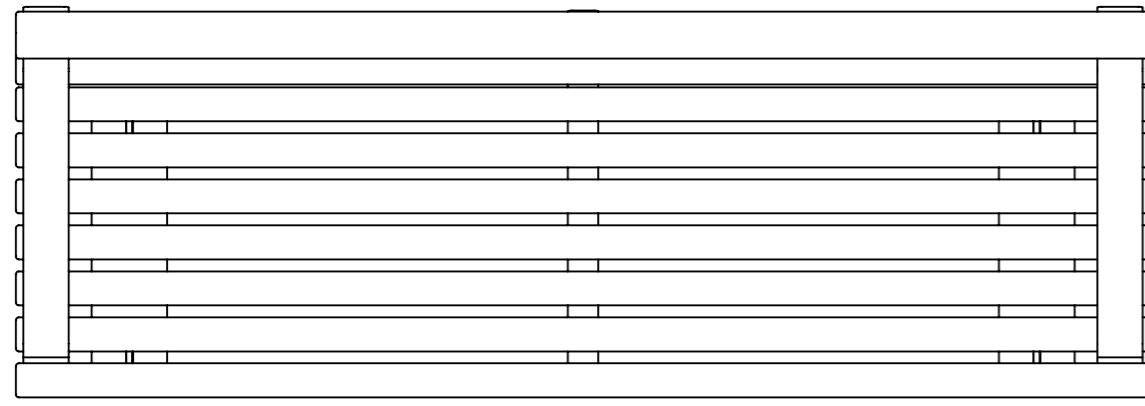
APPROXIMATE TOTAL WEIGHT: 67.8 kg

BARRIER PROTECTION ITEM SUPPLIED TO SITE FULLY ASSEMBLED
 ANY GROUND FIXINGS SUPPLIED BY OTHERS

**GENERAL ARRANGEMENT:
 GREENGATE SEAT**

BSFG Doc. NUMBER: BSSGA2213 - WIP-3_OGA	Doc. TYPE	SHEET: SHEET 3 OF 12	SCALE: 1:10 @A3	DRW: CG	DATE: 22/08/2024
BSFG Doc. TITLE: 1500 - GREENGATE SEAT			CHK: JF		
PART NUMBER: GREENGATE SEAT			DATE: 05/05/2020		
PART CONFIGURATION: 1500			APP: JF		
BSFG JOB NUMBER: STANDARD PRODUCT			DATE: 22/08/2024		
3rd ANGLE PROJECTION			BSFG Doc. STATUS: WORK IN PROGRESS NOT FOR ISSUE		
DO NOT SCALE FROM DRAWING DIMENSIONS IN mm UNLESS STATED OTHERWISE			BSFG Doc.REV: 0		

Adlington Business Park, London Road, Adlington, Cheshire, SK10 4NL
 Tel: 01625 322 888 | enquiries@bsfg.co.uk



INSTALLATION:
 RECOMMENDED Min. FOUNDATION AS SHOWN IN C16/20 CONCRETE. **SITE ENGINEER TO DETERMINE APPROPRIATE SIZE AND COMPOSITION OF ANY FOUNDATIONS BASED ON LOCAL GROUND CONDITIONS**

INSTALLATION Via 4no. Min. M10x100 THROUGH BOLTS

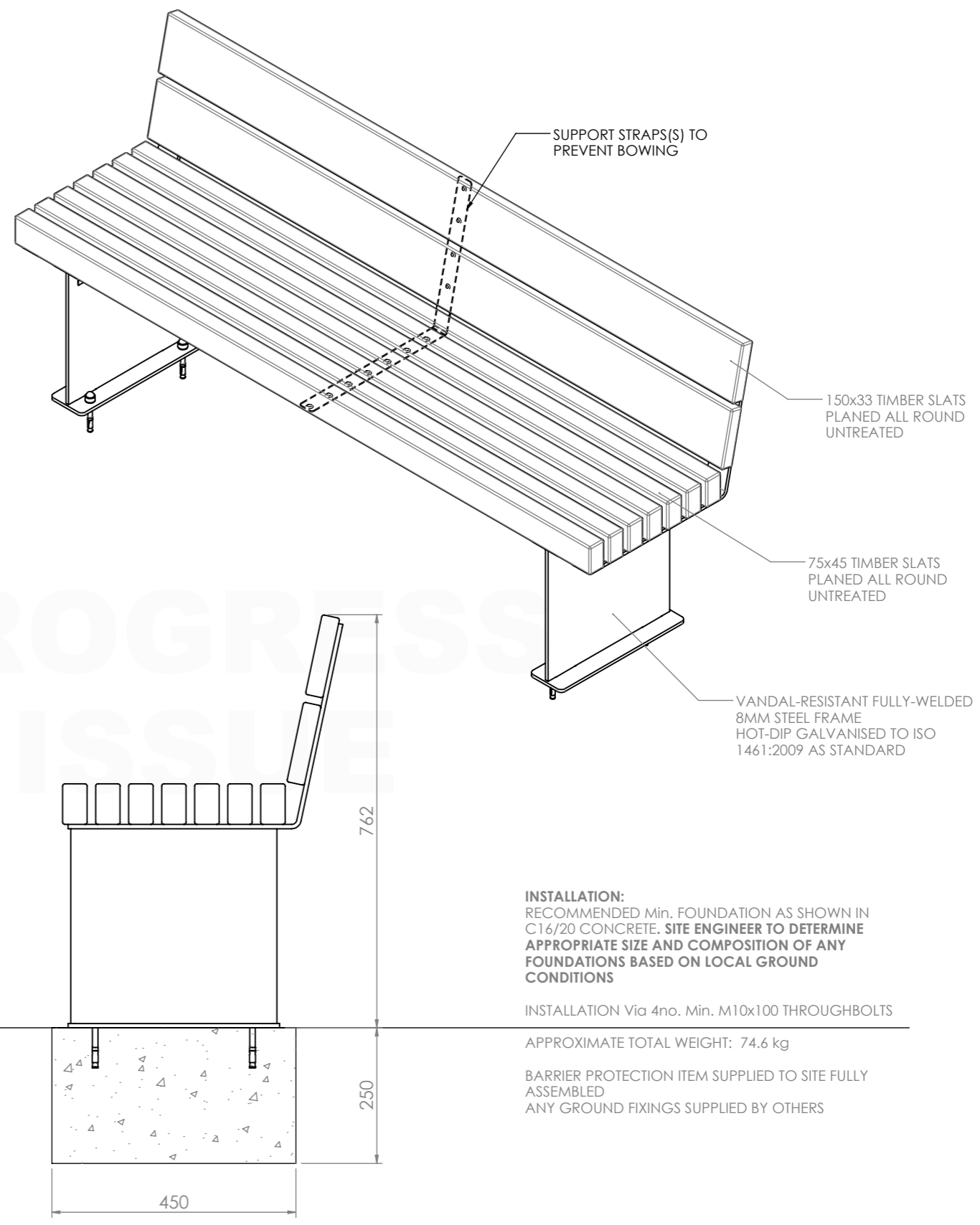
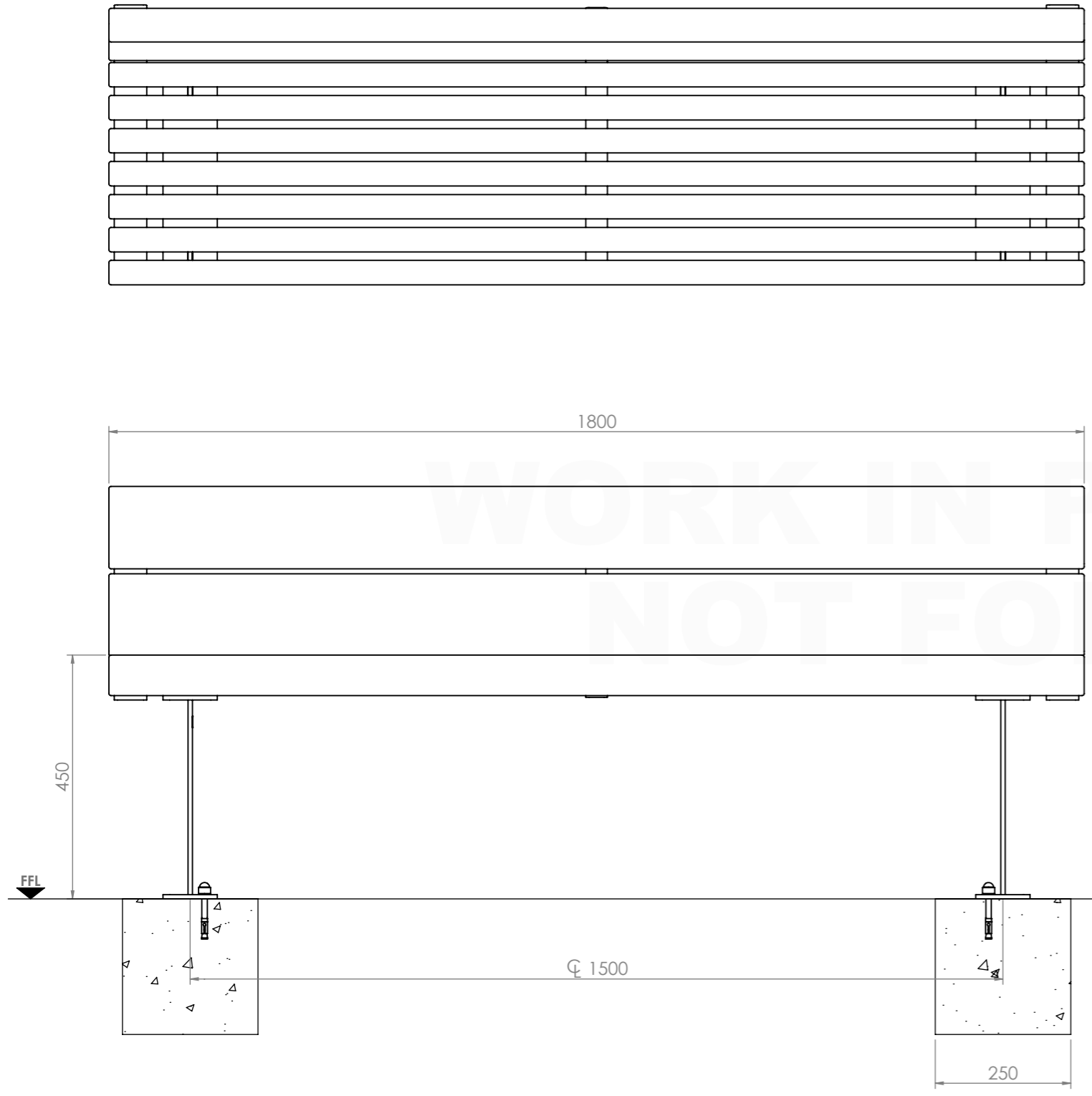
APPROXIMATE TOTAL WEIGHT: 72.7 kg

BARRIER PROTECTION ITEM SUPPLIED TO SITE FULLY ASSEMBLED
 ANY GROUND FIXINGS SUPPLIED BY OTHERS

**GENERAL ARRANGEMENT:
 GREENGATE SEAT**

BSFG Doc. NUMBER: BSSGA2213 - WIP-4_OGA	Doc. TYPE	SHEET: SHEET 4 OF 12	SCALE: 1:10 @A3	DRW: CG	DATE: 22/08/2024
BSFG Doc. TITLE: 1500 ARMS - GREENGATE SEAT				CHK: JF	DATE: 05/05/2020
PART NUMBER: GREENGATE SEAT				APP: JF	DATE: 22/08/2024
PART CONFIGURATION: 1500 ARMS				BSFG Doc. STATUS: WORK IN PROGRESS NOT FOR ISSUE	
BSFG JOB NUMBER: STANDARD PRODUCT	3rd ANGLE PROJECTION		DO NOT SCALE FROM DRAWING DIMENSIONS IN mm UNLESS STATED OTHERWISE	BSFG Doc.REV: 0	

Adlington Business Park, London Road, Adlington, Cheshire, SK10 4NL
 Tel: 01625 322 888 | enquiries@bsfg.co.uk



INSTALLATION:
 RECOMMENDED Min. FOUNDATION AS SHOWN IN C16/20 CONCRETE. **SITE ENGINEER TO DETERMINE APPROPRIATE SIZE AND COMPOSITION OF ANY FOUNDATIONS BASED ON LOCAL GROUND CONDITIONS**

INSTALLATION Via 4no. Min. M10x100 THROUGH BOLTS

APPROXIMATE TOTAL WEIGHT: 74.6 kg

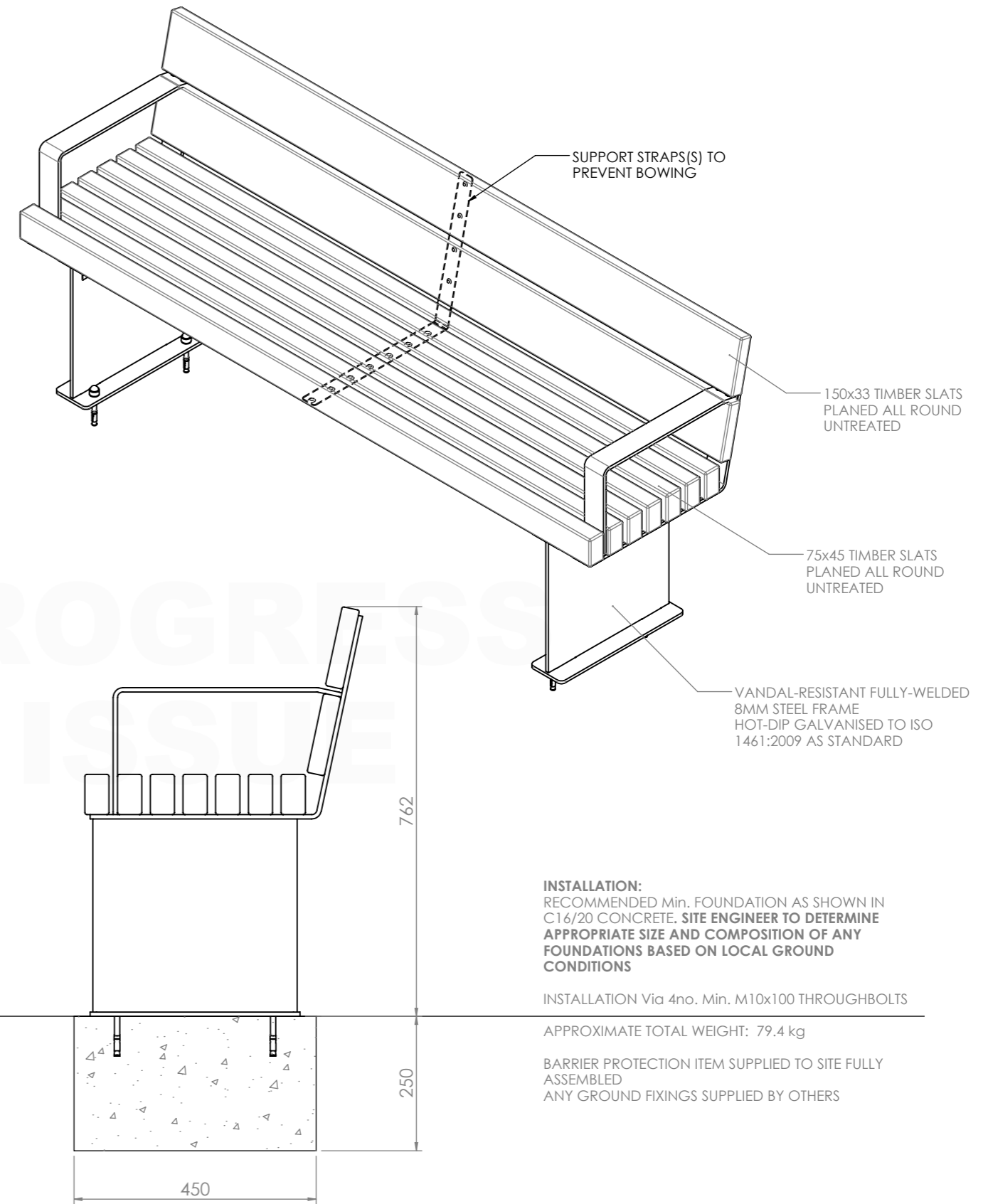
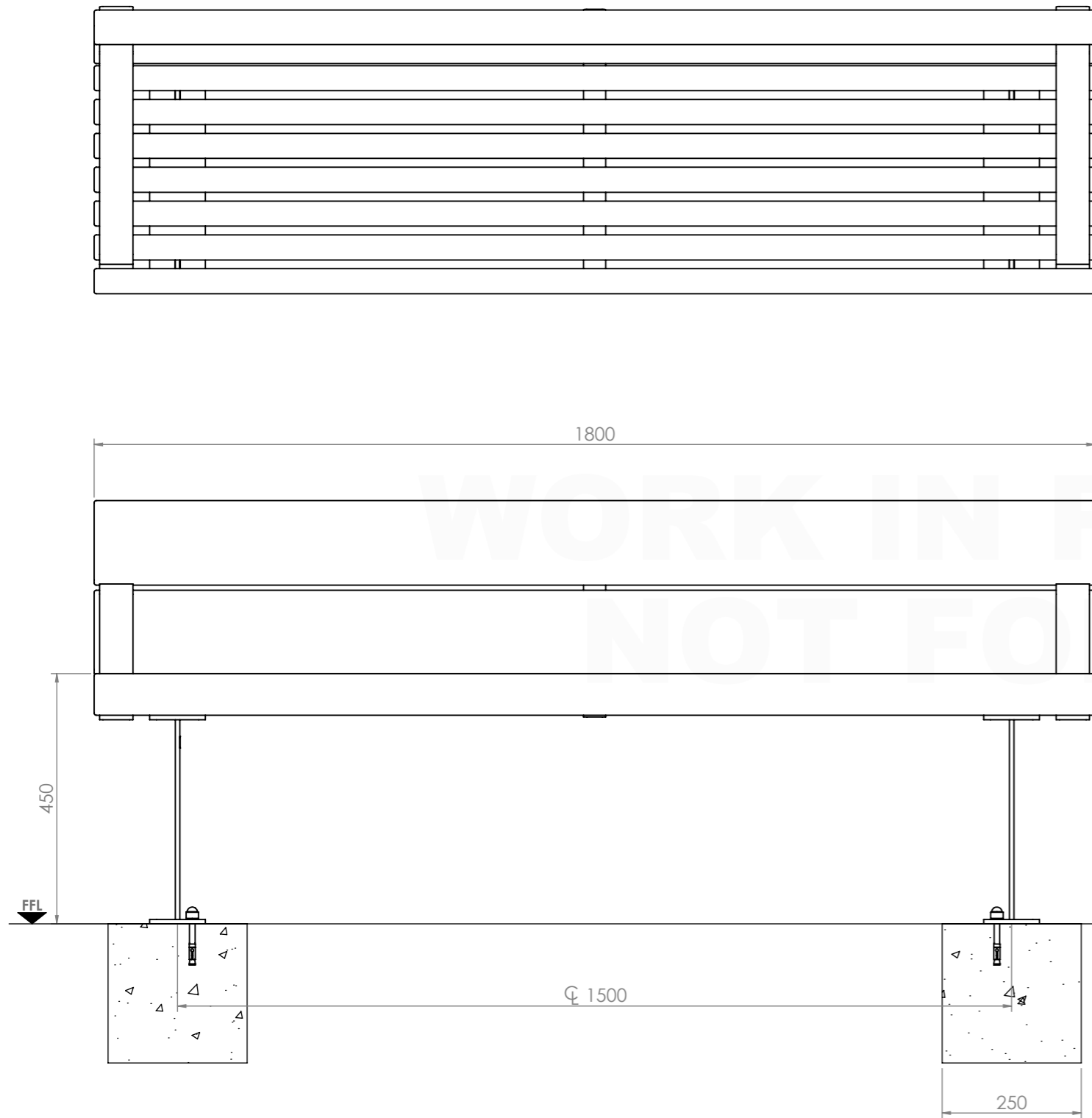
BARRIER PROTECTION ITEM SUPPLIED TO SITE FULLY ASSEMBLED
 ANY GROUND FIXINGS SUPPLIED BY OTHERS

**GENERAL ARRANGEMENT:
 GREENGATE SEAT**



Adlington Business Park, London Road, Adlington, Cheshire, SK10 4NL
 Tel: 01625 322 888 | enquiries@bsfg.co.uk

BSFG Doc. NUMBER: BSSGA2213 - WIP-5_OGA	Doc. TYPE	SHEET: SHEET 5 OF 12	SCALE: 1:10 @A3	DRW: CG	DATE: 22/08/2024
BSFG Doc. TITLE: 1800 - GREENGATE SEAT			CHK: JF		
PART NUMBER: GREENGATE SEAT			DATE: 05/05/2020		
PART CONFIGURATION: 1800			APP: JF		
BSFG JOB NUMBER: STANDARD PRODUCT			DATE: 22/08/2024		
3rd ANGLE PROJECTION			BSFG Doc. STATUS: WORK IN PROGRESS NOT FOR ISSUE		
DO NOT SCALE FROM DRAWING DIMENSIONS IN mm UNLESS STATED OTHERWISE			BSFG Doc.REV: 0		



INSTALLATION:
 RECOMMENDED Min. FOUNDATION AS SHOWN IN C16/20 CONCRETE. **SITE ENGINEER TO DETERMINE APPROPRIATE SIZE AND COMPOSITION OF ANY FOUNDATIONS BASED ON LOCAL GROUND CONDITIONS**

INSTALLATION Via 4no. Min. M10x100 THROUGH BOLTS

APPROXIMATE TOTAL WEIGHT: 79.4 kg

BARRIER PROTECTION ITEM SUPPLIED TO SITE FULLY ASSEMBLED
 ANY GROUND FIXINGS SUPPLIED BY OTHERS

**GENERAL ARRANGEMENT:
 GREENGATE SEAT**



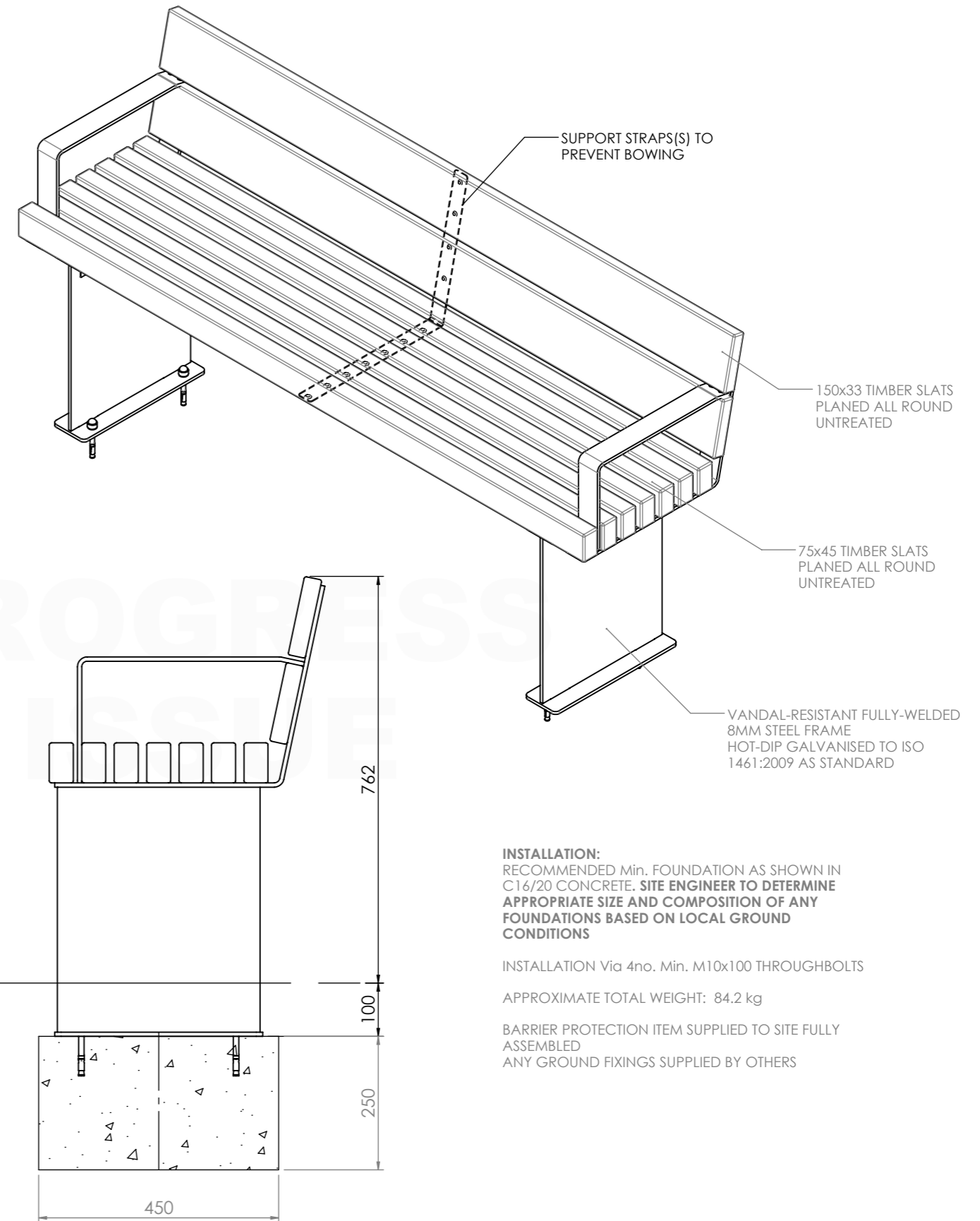
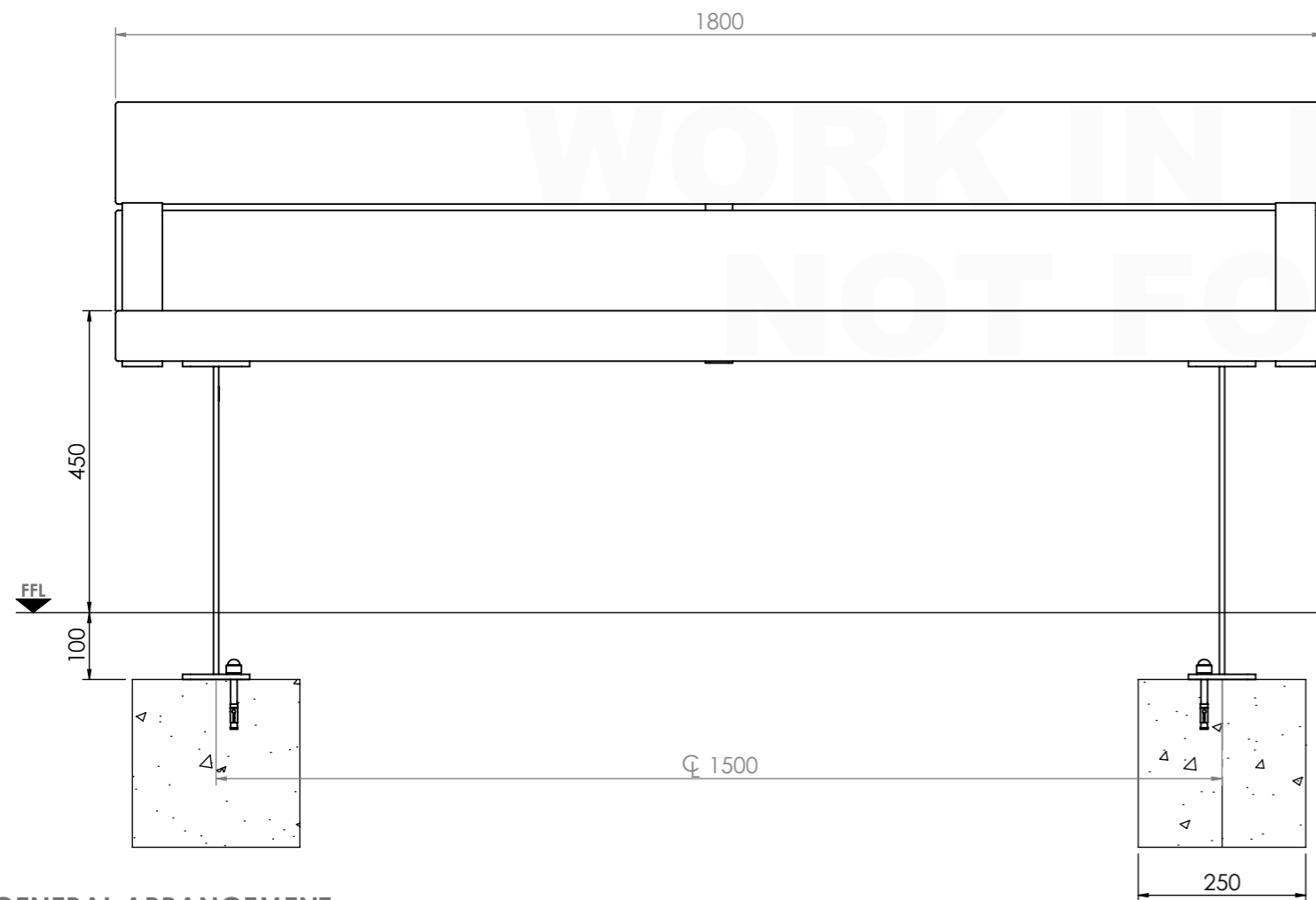
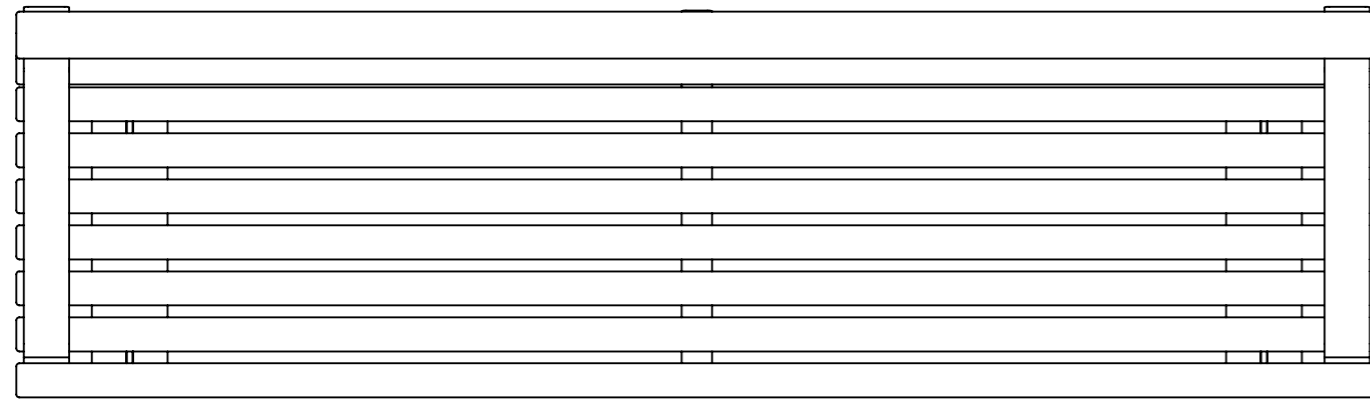
Adlington Business Park, London Road, Adlington, Cheshire, SK10 4NL
 Tel: 01625 322 888 | enquiries@bsfg.co.uk

BSFG Doc. NUMBER: BSSGA2213 - WIP-6_OGA	Doc. TYPE	SHEET: SHEET 6 OF 12	SCALE: 1:10 @A3	DRW: CG	DATE: 22/08/2024
BSFG Doc. TITLE: 1800 ARMS - GREENGATE SEAT			CHK: JF		
PART NUMBER: GREENGATE SEAT			DATE: 05/05/2020		
PART CONFIGURATION: 1800 ARMS			APP: JF		
BSFG JOB NUMBER: STANDARD PRODUCT			DATE: 22/08/2024		
3rd ANGLE PROJECTION			BSFG Doc. STATUS: WORK IN PROGRESS NOT FOR ISSUE		
DO NOT SCALE FROM DRAWING DIMENSIONS IN mm UNLESS STATED OTHERWISE			BSFG Doc.REV: 0		

PRODUCTS WILL BE SUPPLIED WITH A SMALL IDENTIFICATION LABEL. IF YOU WOULD LIKE THIS REMOVED PRIOR TO DELIVERY PLEASE SPECIFY AT TIME OF ORDER

© All content copyright Bailey Streetscene Limited

© All content copyright Bailey Street Furniture Group



INSTALLATION:
 RECOMMENDED Min. FOUNDATION AS SHOWN IN C16/20 CONCRETE. **SITE ENGINEER TO DETERMINE APPROPRIATE SIZE AND COMPOSITION OF ANY FOUNDATIONS BASED ON LOCAL GROUND CONDITIONS**

INSTALLATION Via 4no. Min. M10x100 THROUGH BOLTS

APPROXIMATE TOTAL WEIGHT: 84.2 kg

BARRIER PROTECTION ITEM SUPPLIED TO SITE FULLY ASSEMBLED
 ANY GROUND FIXINGS SUPPLIED BY OTHERS

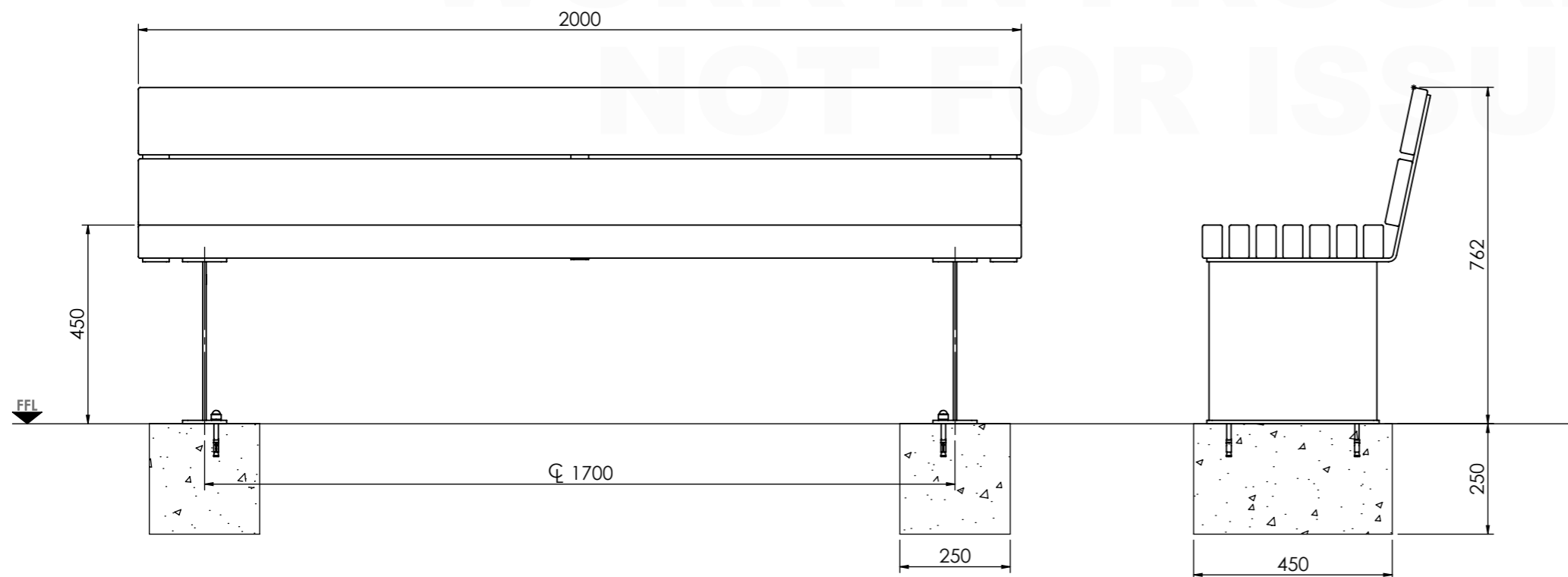
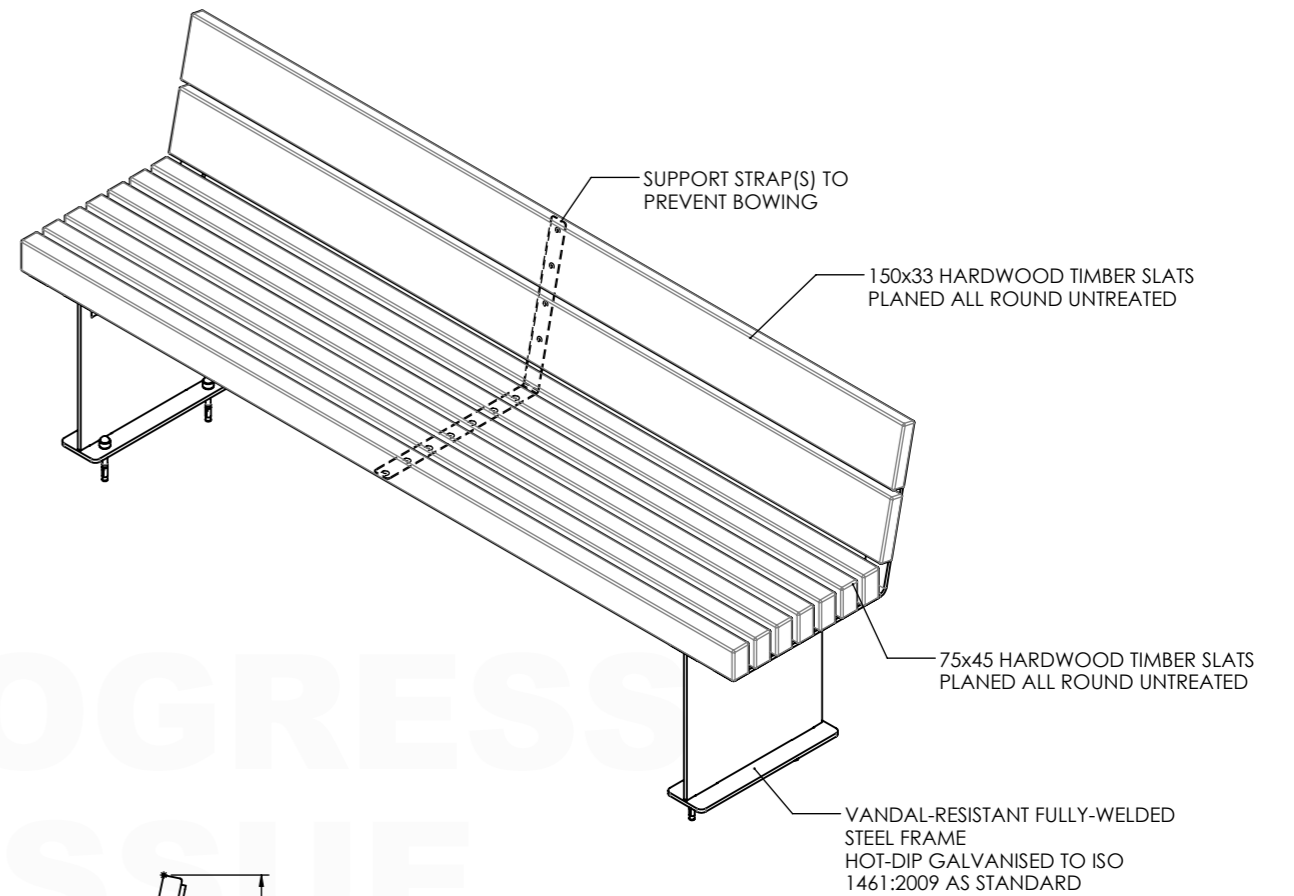
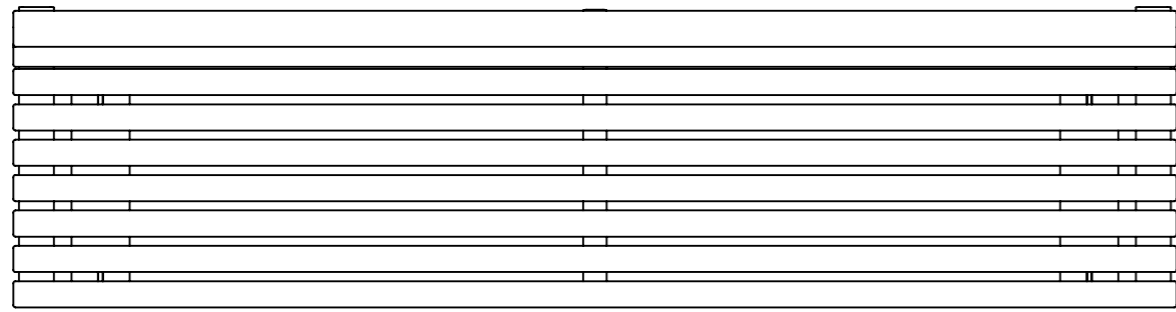
**GENERAL ARRANGEMENT:
 GREENGATE SEAT**



Adlington Business Park, London Road, Adlington, Cheshire, SK10 4NL
 Tel: 01625 322 888 | enquiries@bsfg.co.uk

BSFG Doc. NUMBER: BSSGA2213 - WIP-7_OGA	Doc. TYPE	SHEET: SHEET 7 OF 12	SCALE: 1:10 @A3	DRW: CG	DATE: 22/08/2024
BSFG Doc. TITLE: 1800 SSM ARMS - GREENGATE SEAT				CHK: JF	DATE: 05/05/2020
PART NUMBER: GREENGATE SEAT				APP: JF	DATE: 22/08/2024
PART CONFIGURATION: 1800 ARMS SSM				BSFG Doc. STATUS: WORK IN PROGRESS NOT FOR ISSUE	
BSFG JOB NUMBER: STANDARD PRODUCT		3rd ANGLE PROJECTION		BSFG Doc.REV: 0	

DO NOT SCALE FROM DRAWING DIMENSIONS IN mm UNLESS STATED OTHERWISE



INSTALLATION:
RECOMMENDED Min. FOUNDATION AS SHOWN IN C16/20 CONCRETE.
SITE ENGINEER TO DETERMINE APPROPRIATE SIZE AND COMPOSITION OF ANY FOUNDATIONS BASED ON LOCAL GROUND CONDITIONS

INSTALLATION Via 4no. Min. M10x100 THROUGH BOLTS

APPROXIMATE TOTAL WEIGHT: 77.6 kg

BARRIER PROTECTION ITEM SUPPLIED TO SITE FULLY ASSEMBLED
ANY GROUND FIXINGS SUPPLIED BY OTHERS

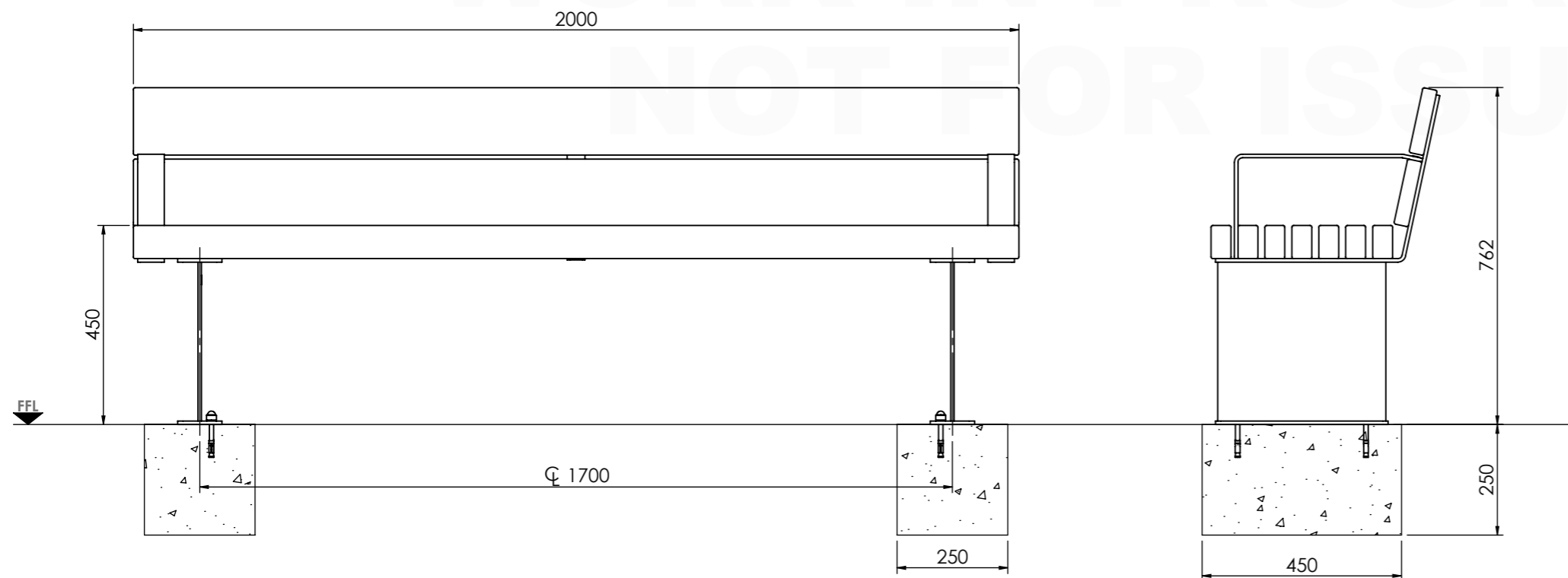
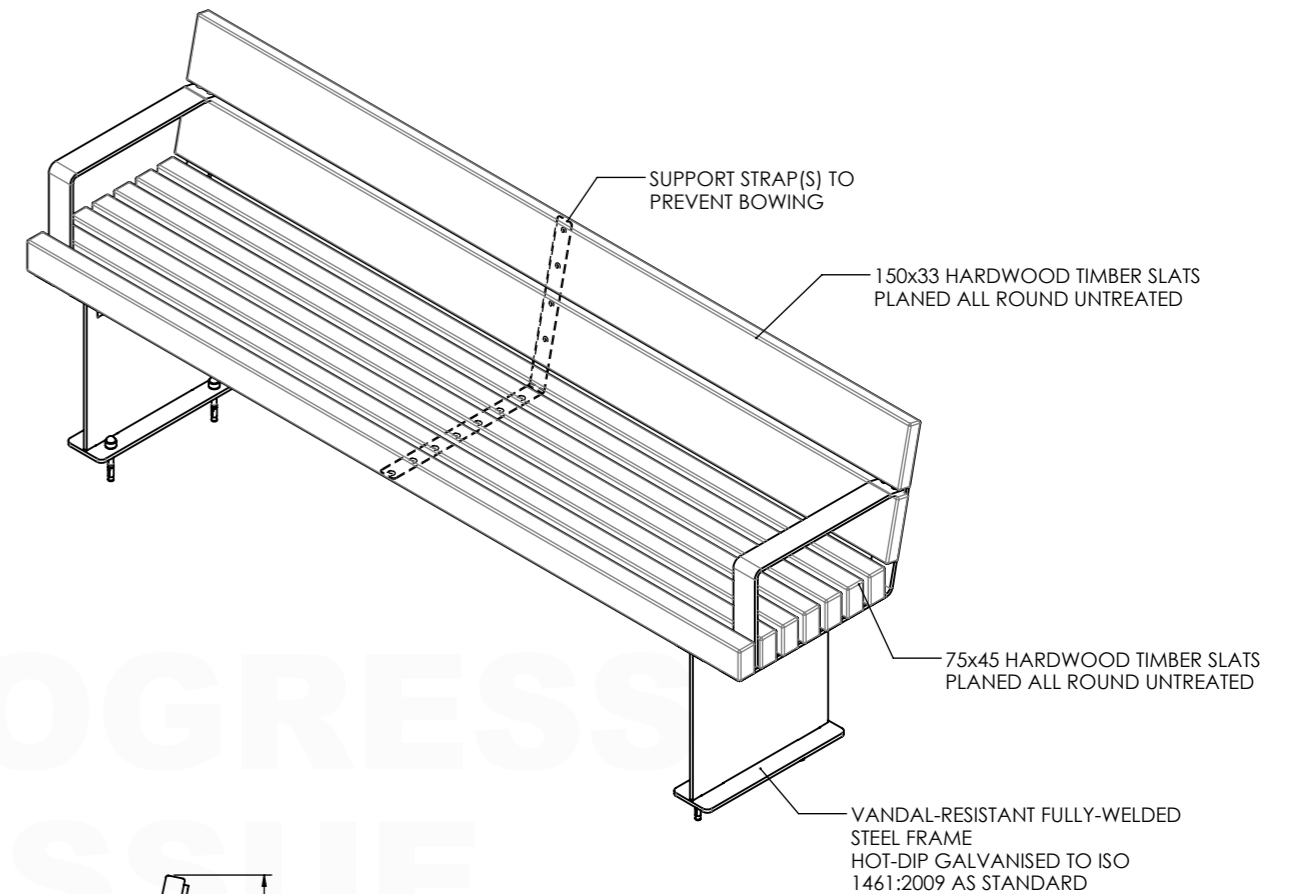
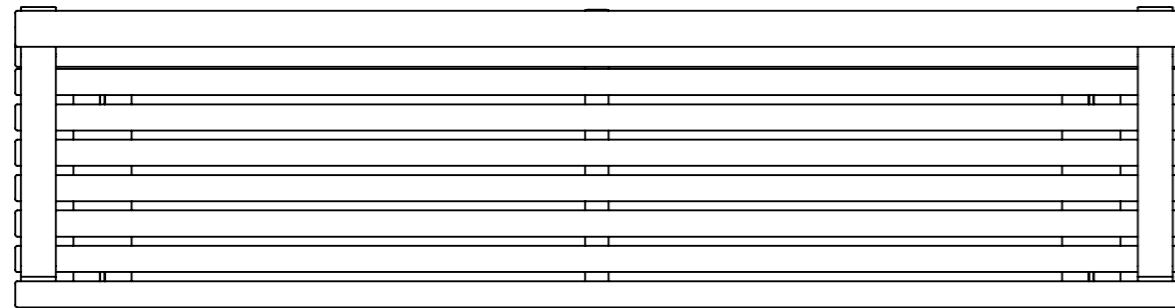
GENERAL ARRANGEMENT:
GREENGATE SEAT



Adlington Business Park, London Road, Adlington, Cheshire, SK10 4NL
Tel: 01625 322 888 | enquiries@bsfg.co.uk

BSFG Doc. NUMBER: BSSGA2213 - WIP-8_OGA	Doc. TYPE	SHEET: SHEET 8 OF 12	SCALE: 1:15 @A3	DRW: CG	DATE: 22/08/2024
BSFG Doc. TITLE: 2000 - GREENGATE SEAT				CHK: JF	DATE: 05/05/2020
PART NUMBER: GREENGATE SEAT				APP: JF	DATE: 22/08/2024
PART CONFIGURATION: 2000				BSFG Doc. STATUS: WORK IN PROGRESS NOT FOR ISSUE	
BSFG JOB NUMBER: STANDARD PRODUCT	3rd ANGLE PROJECTION		DO NOT SCALE FROM DRAWING DIMENSIONS IN mm UNLESS STATED OTHERWISE	BSFG Doc.REV: 0	

PRODUCTS WILL BE SUPPLIED WITH A SMALL IDENTIFICATION LABEL. IF YOU WOULD LIKE THIS REMOVED PRIOR TO DELIVERY PLEASE SPECIFY AT TIME OF ORDER



INSTALLATION:
 RECOMMENDED Min. FOUNDATION AS SHOWN IN C16/20 CONCRETE.
SITE ENGINEER TO DETERMINE APPROPRIATE SIZE AND COMPOSITION OF ANY FOUNDATIONS BASED ON LOCAL GROUND CONDITIONS

INSTALLATION Via 4no. Min. M10x100 THROUGH BOLTS

APPROXIMATE TOTAL WEIGHT: 82.5 kg

BARRIER PROTECTION ITEM SUPPLIED TO SITE FULLY ASSEMBLED
 ANY GROUND FIXINGS SUPPLIED BY OTHERS

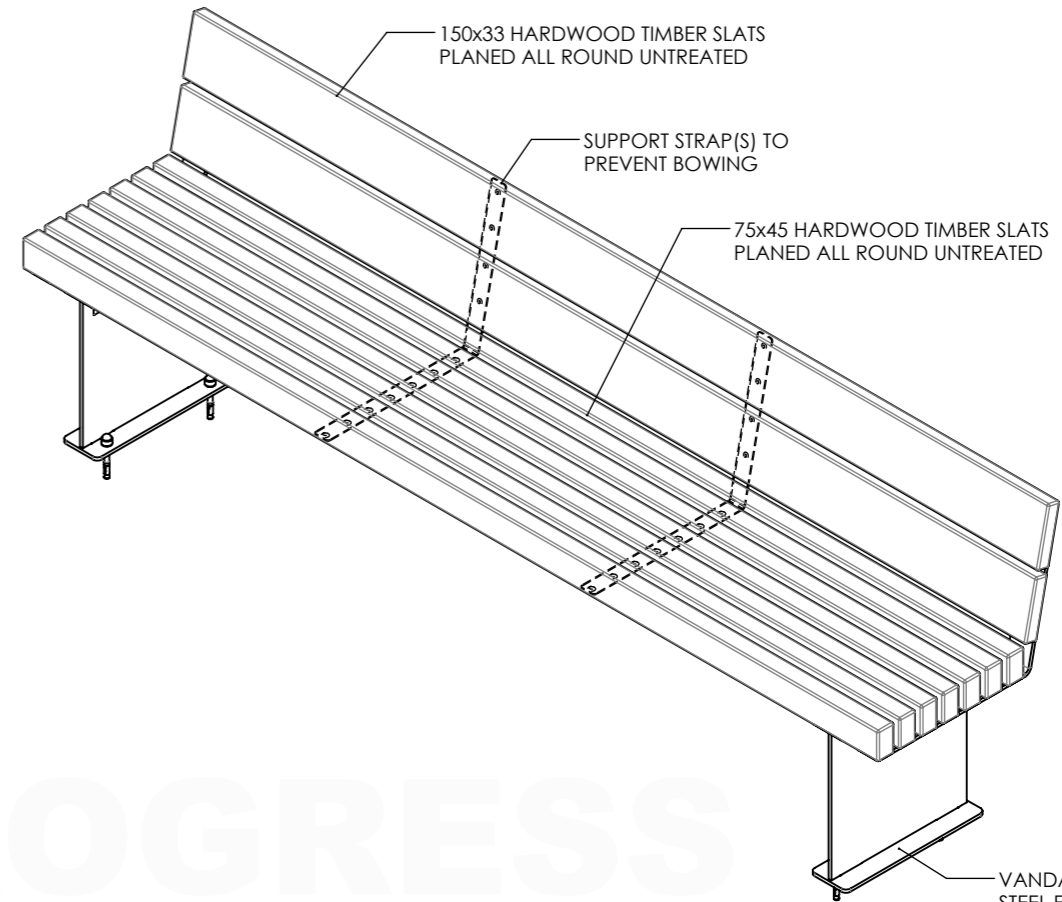
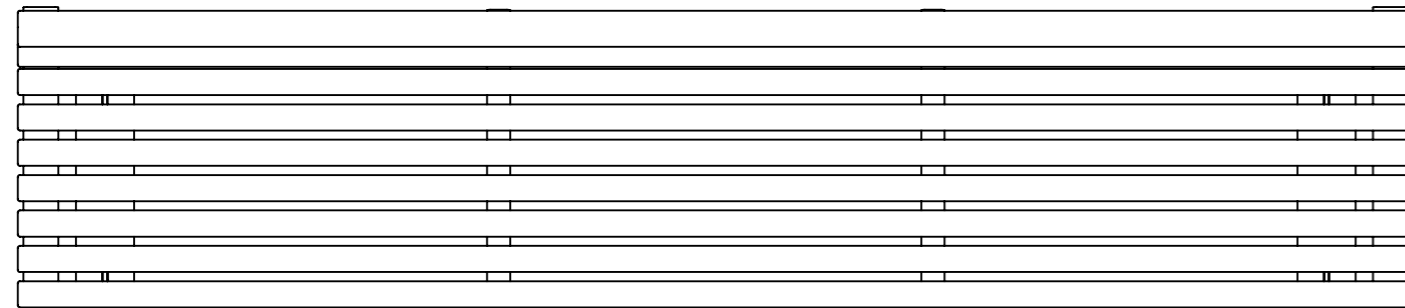
GENERAL ARRANGEMENT:
GREENGATE SEAT



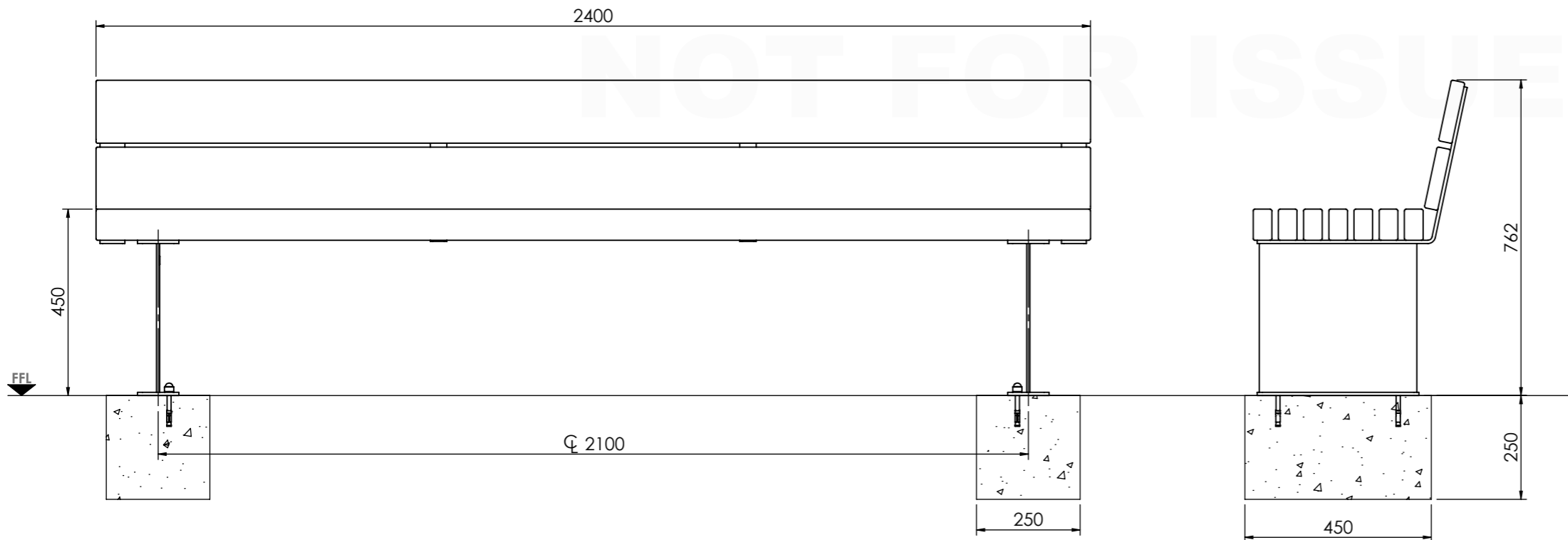
Adlington Business Park, London Road, Adlington, Cheshire, SK10 4NL
 Tel: 01625 322 888 | enquiries@bsfg.co.uk

BSFG Doc. NUMBER: BSSGA2213 - WIP-9_OGA	Doc. TYPE	SHEET: SHEET 9 OF 12	SCALE: 1:15 @A3	DRW: CG	DATE: 22/08/2024
BSFG Doc. TITLE: 2000 ARMS - GREENGATE SEAT				CHK: JF	DATE: 05/05/2020
PART NUMBER: GREENGATE SEAT				APP: JF	DATE: 22/08/2024
PART CONFIGURATION: 2000 ARMS				BSFG Doc. STATUS: WORK IN PROGRESS NOT FOR ISSUE	
BSFG JOB NUMBER: STANDARD PRODUCT	3rd ANGLE PROJECTION	DO NOT SCALE FROM DRAWING DIMENSIONS IN mm UNLESS STATED OTHERWISE		BSFG Doc.REV: 0	

PRODUCTS WILL BE SUPPLIED WITH A SMALL IDENTIFICATION LABEL. IF YOU WOULD LIKE THIS REMOVED PRIOR TO DELIVERY PLEASE SPECIFY AT TIME OF ORDER



WORK IN PROGRESS
NOT FOR ISSUE



INSTALLATION:
RECOMMENDED Min. FOUNDATION AS SHOWN IN C16/20 CONCRETE.
SITE ENGINEER TO DETERMINE APPROPRIATE SIZE AND COMPOSITION
OF ANY FOUNDATIONS BASED ON LOCAL GROUND CONDITIONS

INSTALLATION Via 4no. Min. M10x100 THROUGH BOLTS

APPROXIMATE TOTAL WEIGHT: 88.8 kg

BARRIER PROTECTION ITEM SUPPLIED TO SITE FULLY ASSEMBLED
ANY GROUND FIXINGS SUPPLIED BY OTHERS

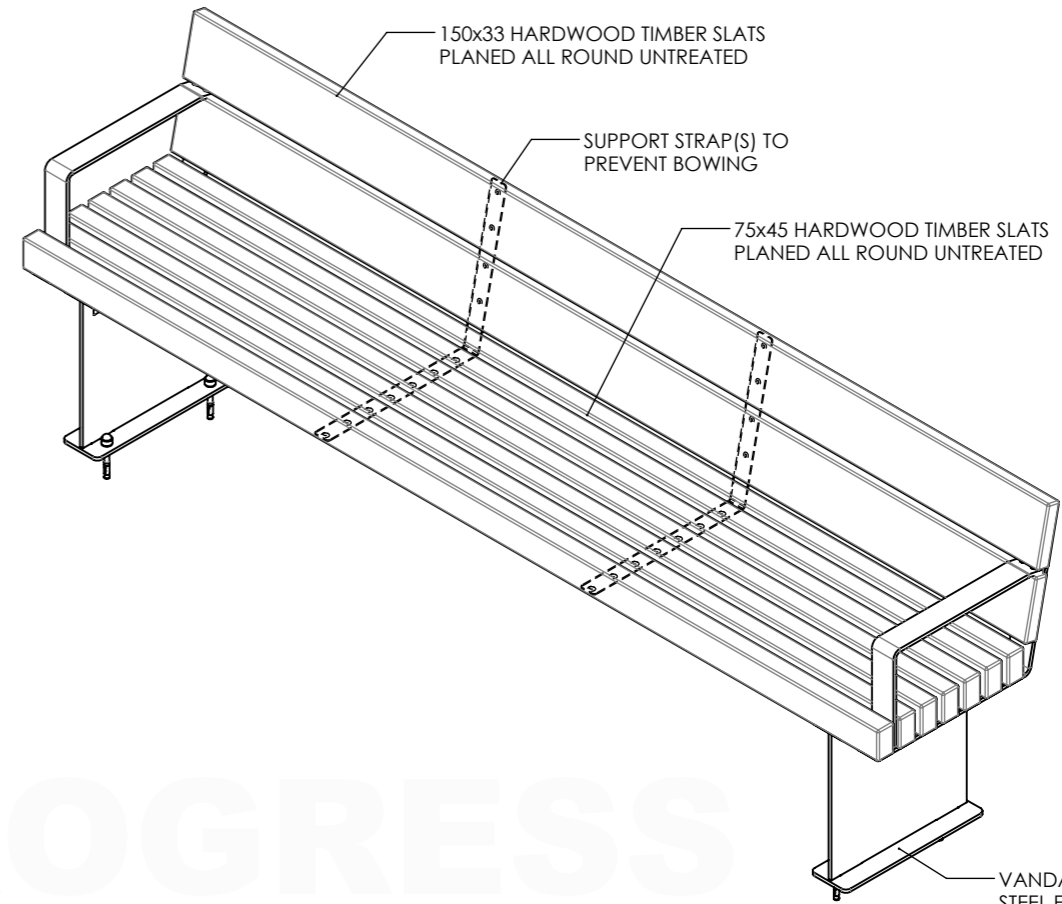
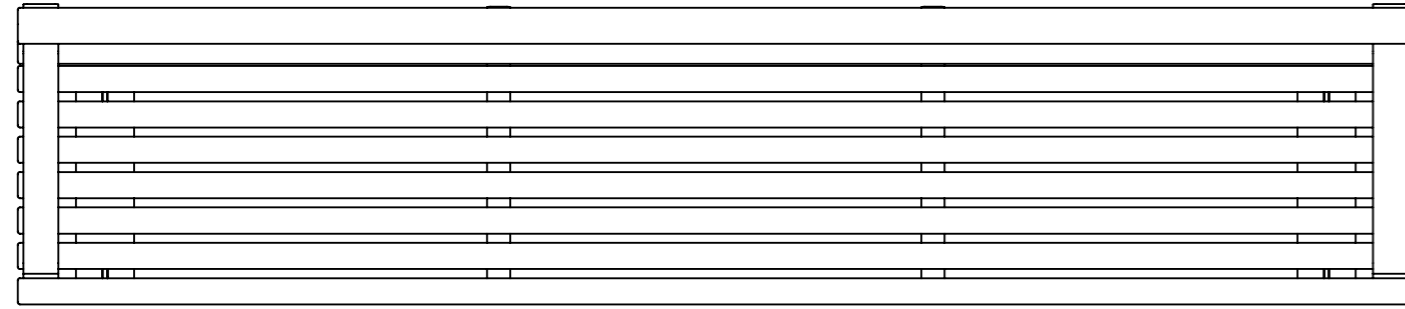
GENERAL ARRANGEMENT:
GREENGATE SEAT



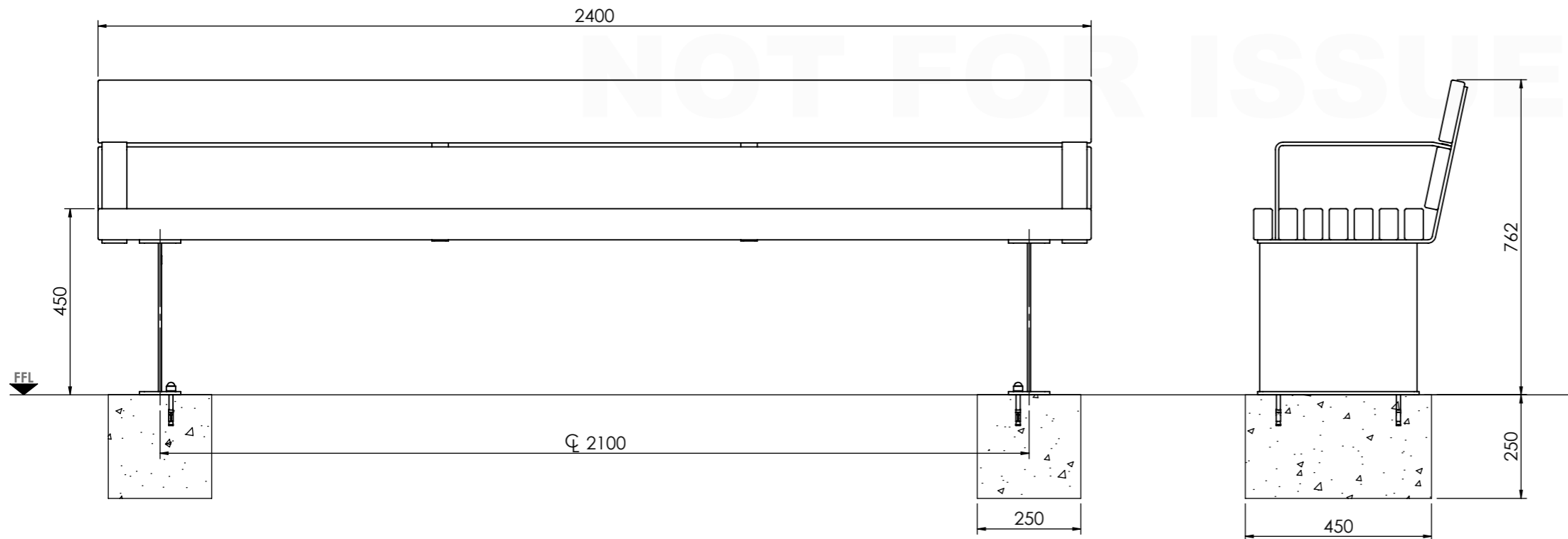
Adlington Business Park, London Road, Adlington, Cheshire, SK10 4NL
Tel: 01625 322 888 | enquiries@bsfg.co.uk

BSFG Doc. NUMBER: BSSGA2213 - WIP-10	Doc. TYPE: GA	SHEET: SHEET 10 OF 12	SCALE: 1:15 @A3	DRW: CG	DATE: 22/08/2024
BSFG Doc. TITLE: 2400 - GREENGATE SEAT				CHK: JF	DATE: 05/05/2020
PART NUMBER: GREENGATE SEAT				APP: JF	DATE: 22/08/2024
PART CONFIGURATION: 2400				BSFG Doc. STATUS: WORK IN PROGRESS NOT FOR ISSUE	
BSFG JOB NUMBER: STANDARD PRODUCT		3rd ANGLE PROJECTION	DO NOT SCALE FROM DRAWING DIMENSIONS IN mm UNLESS STATED OTHERWISE	BSFG Doc.REV: 0	

PRODUCTS WILL BE SUPPLIED WITH A SMALL IDENTIFICATION LABEL. IF YOU WOULD LIKE THIS REMOVED PRIOR TO DELIVERY PLEASE SPECIFY AT TIME OF ORDER



WORK IN PROGRESS
NOT FOR ISSUE



INSTALLATION:
RECOMMENDED Min. FOUNDATION AS SHOWN IN C16/20 CONCRETE.
SITE ENGINEER TO DETERMINE APPROPRIATE SIZE AND COMPOSITION
OF ANY FOUNDATIONS BASED ON LOCAL GROUND CONDITIONS

INSTALLATION Via 4no. Min. M10x100 THROUGH BOLTS

APPROXIMATE TOTAL WEIGHT: 93.8 kg

BARRIER PROTECTION ITEM SUPPLIED TO SITE FULLY ASSEMBLED
ANY GROUND FIXINGS SUPPLIED BY OTHERS

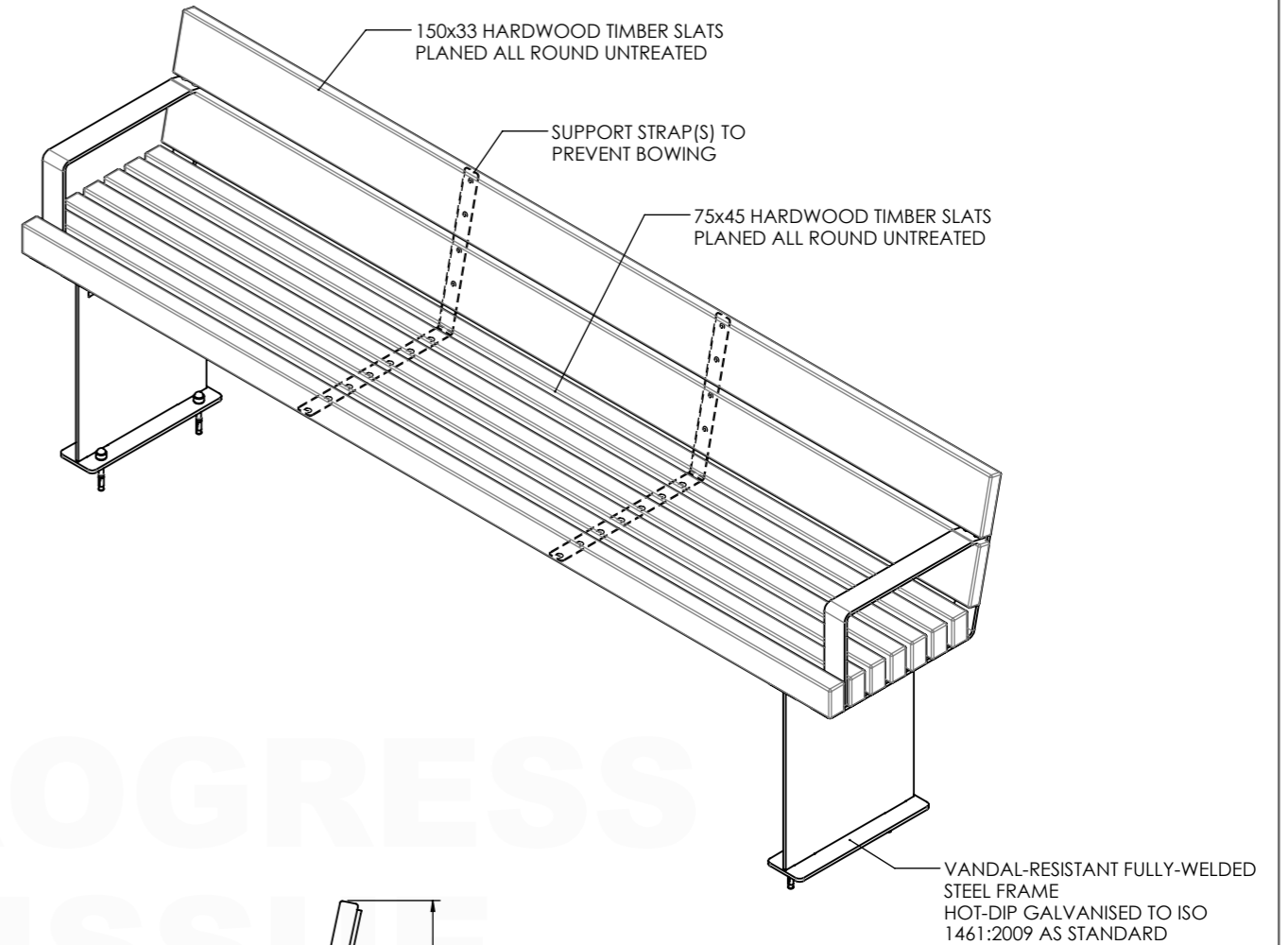
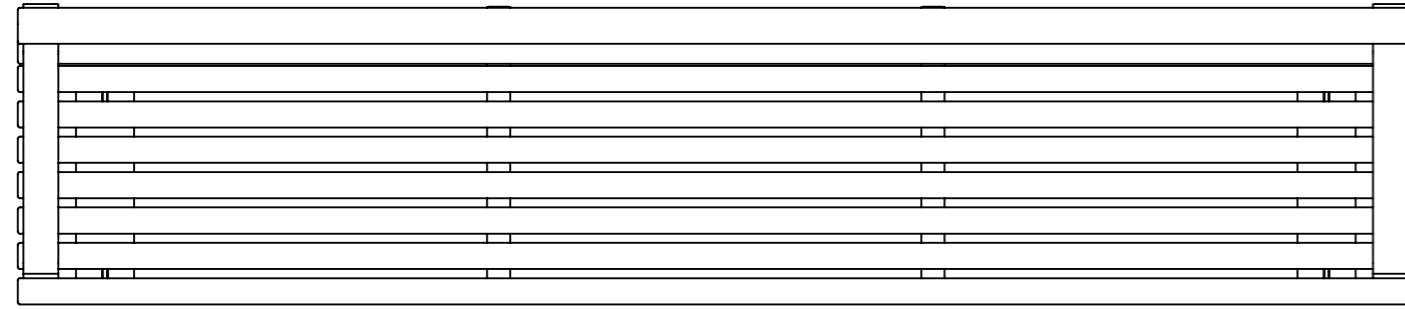
GENERAL ARRANGEMENT:
GREENGATE SEAT



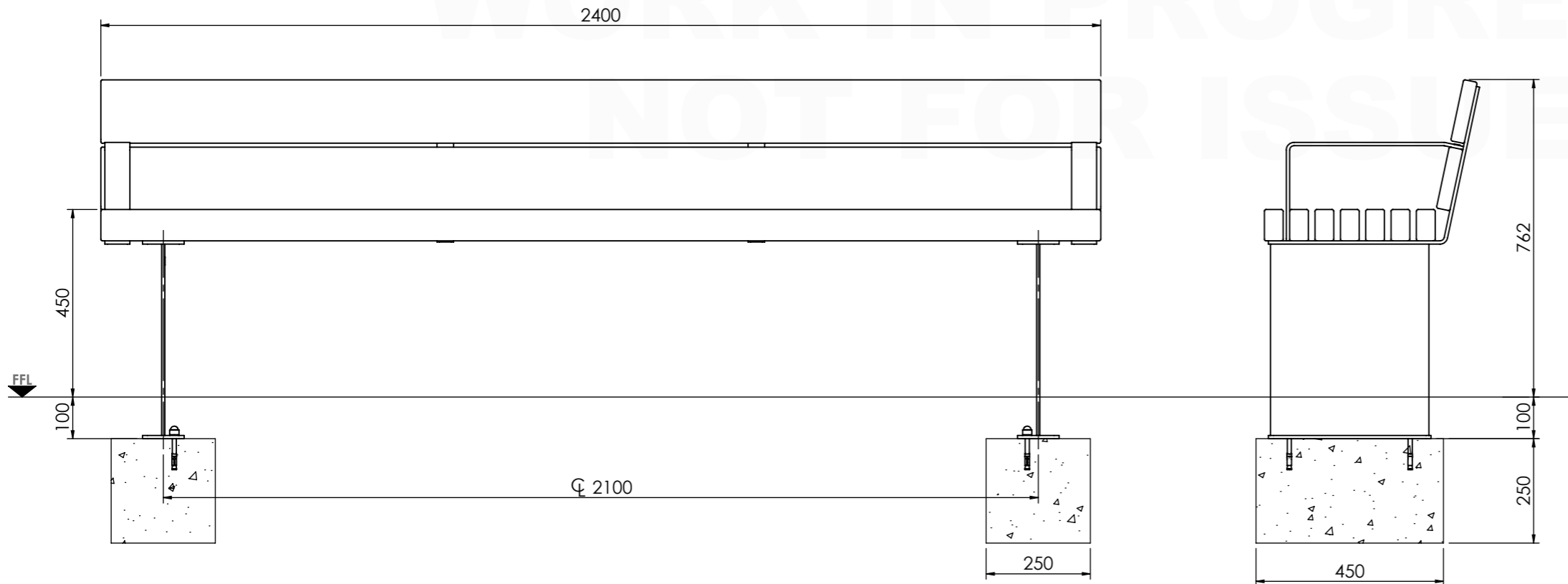
Adlington Business Park, London Road, Adlington, Cheshire, SK10 4NL
Tel: 01625 322 888 | enquiries@bsfg.co.uk

BSFG Doc. NUMBER: BSSGA2213 - WIP-11	Doc. TYPE: GA	SHEET: SHEET 11 OF 12	SCALE: 1:15 @A3	DRW: CG	DATE: 22/08/2024
BSFG Doc. TITLE: 2400 ARMS - GREENGATE SEAT				CHK: JF	DATE: 05/05/2020
PART NUMBER: GREENGATE SEAT				APP: JF	DATE: 22/08/2024
PART CONFIGURATION: 2400 ARMS				BSFG Doc. STATUS: WORK IN PROGRESS NOT FOR ISSUE	
BSFG JOB NUMBER: STANDARD PRODUCT		3rd ANGLE PROJECTION	DO NOT SCALE FROM DRAWING DIMENSIONS IN mm UNLESS STATED OTHERWISE	BSFG Doc.REV: 0	

PRODUCTS WILL BE SUPPLIED WITH A SMALL IDENTIFICATION LABEL. IF YOU WOULD LIKE THIS REMOVED PRIOR TO DELIVERY PLEASE SPECIFY AT TIME OF ORDER



WORK IN PROGRESS
NOT FOR ISSUE



INSTALLATION:
RECOMMENDED Min. FOUNDATION AS SHOWN IN C16/20 CONCRETE.
SITE ENGINEER TO DETERMINE APPROPRIATE SIZE AND COMPOSITION
OF ANY FOUNDATIONS BASED ON LOCAL GROUND CONDITIONS

INSTALLATION Via 4no. Min. M10x100 THROUGH BOLTS

APPROXIMATE TOTAL WEIGHT: 98.5 kg

BARRIER PROTECTION ITEM SUPPLIED TO SITE FULLY ASSEMBLED
ANY GROUND FIXINGS SUPPLIED BY OTHERS

GENERAL ARRANGEMENT:
GREENGATE SEAT



Adlington Business Park, London Road, Adlington, Cheshire, SK10 4NL
Tel: 01625 322 888 | enquiries@bsfg.co.uk

BSFG Doc. NUMBER: BSSGA2213 - WIP-12	Doc. TYPE: GA	SHEET: SHEET 12 OF 12	SCALE: 1:15 @A3	DRW: CG	DATE: 22/08/2024
BSFG Doc. TITLE: 2400 SSM ARMS - GREENGATE SEAT				CHK: JF	DATE: 05/05/2020
PART NUMBER: GREENGATE SEAT				APP: JF	DATE: 22/08/2024
PART CONFIGURATION: 2400 ARMS SSM				BSFG Doc. STATUS: WORK IN PROGRESS NOT FOR ISSUE	
BSFG JOB NUMBER: STANDARD PRODUCT		3rd ANGLE PROJECTION	DO NOT SCALE FROM DRAWING DIMENSIONS IN mm UNLESS STATED OTHERWISE	BSFG Doc.REV: 0	

PRODUCTS WILL BE SUPPLIED WITH A SMALL IDENTIFICATION LABEL. IF YOU WOULD LIKE THIS REMOVED PRIOR TO DELIVERY PLEASE SPECIFY AT TIME OF ORDER